

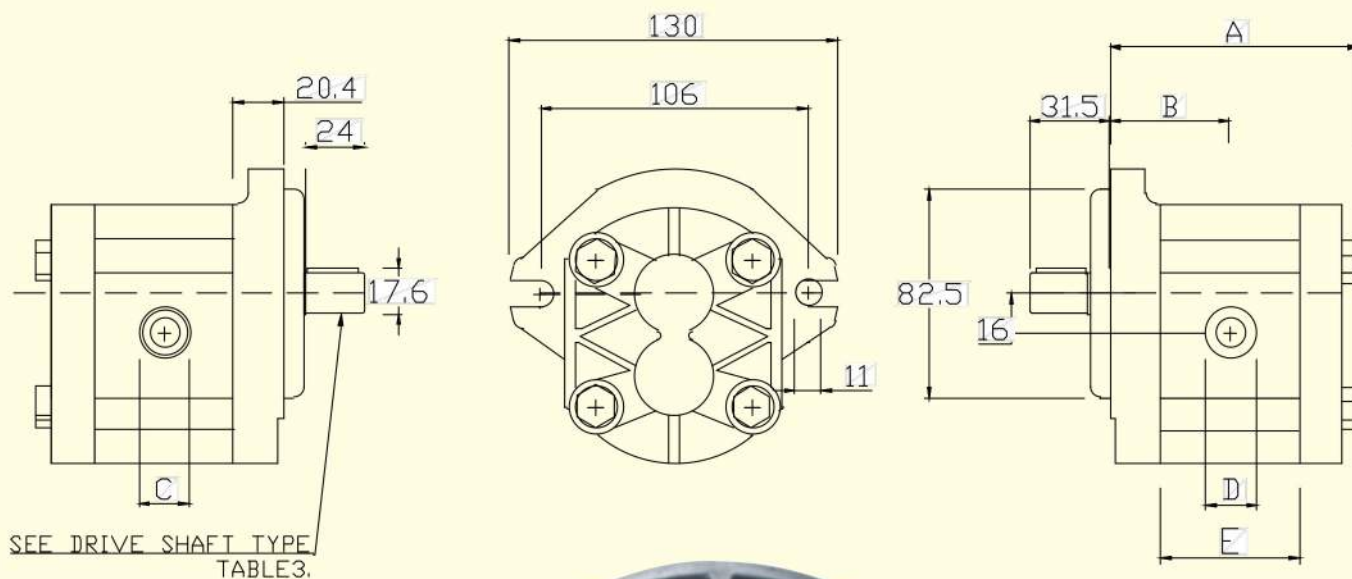
ASESA Hydraulic Gear Pump 20 Series



PERFORMANCE DATA

Type	Displacement (cm ³ /mm)	Min. Speed r.p.m	Max. speed r.p.m	Max. oper. PRE.1500rpm (bar)	Max. CON. PRESSURE (bar)	Motor Torque 100 psi	Approx Weight(kg)
SAP20 - 4.0	4.8	600	4000	220	280	4.03	3.80
SAP20 - 6.3	6.5	600	4000	220	280	5.45	3.85
SAP20 - 8.0	8.3	600	3500	220	280	6.96	3.90
SAP20 - 11.0	11.1	600	3500	220	270	9.31	4.05
SAP20 - 14.0	14.4	600	3500	210	260	12.08	4.15
SAP20 - 16.0	16.6	600	3500	210	250	13.92	4.30
SAP20 - 20.0	20.8	600	3000	180	210	17.44	4.45
SAP20 - 25.0	26.0	600	2500	160	170	21.80	4.70
SAP20 - 31.0	32.6	600	2500	160	170	21.34	4.90

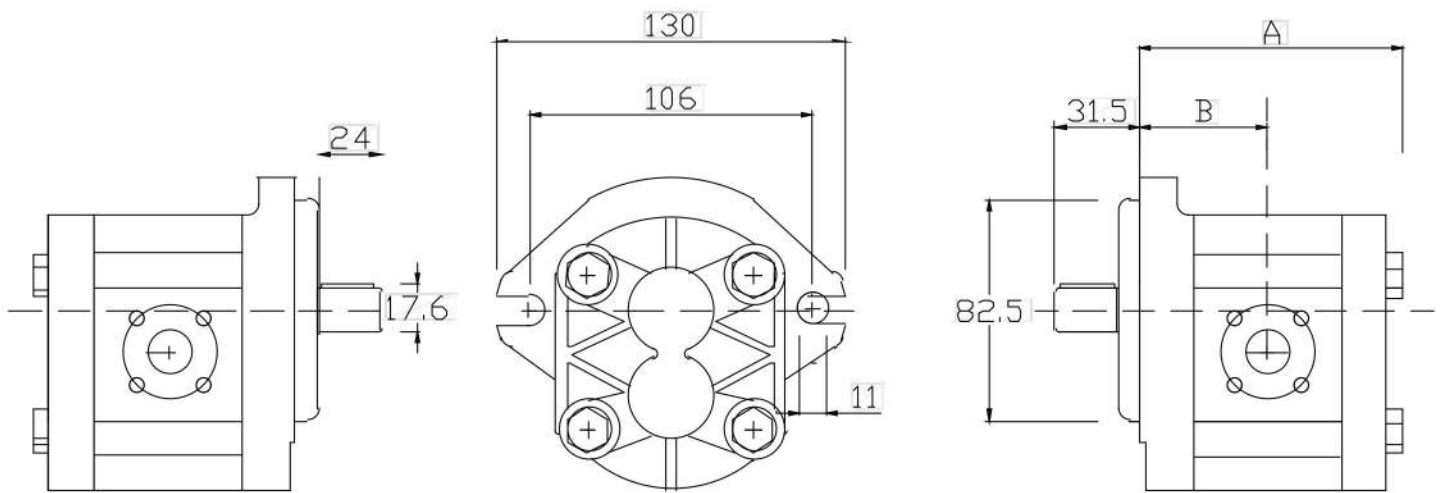
Mounting And Connecting Size

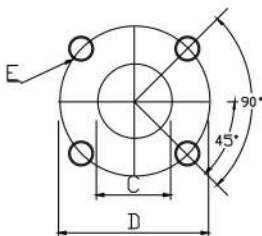


DIMENSIONS & PORT SIZE

Type	A	B	E	C(IN) (PS)	D(OUT) (PS)
	mm	mm	mm		
SAP20 - 4.0	93.0	45.0	50	1/2"	1/2"
SAP20 - 6.3	95.5	46.0	52		
SAP20 - 8.0	98.0	47.5	55		
SAP20 - 11.0	104.0	50.0	60		
SAP20 - 14.0	109.0	52.5	65	3/4"	
SAP20 - 16.0	113.0	54.5	69		
SAP20 - 20.0	118.0	57.0	74		
SAP20 - 25.0	124.0	60.0	80		
SAP20 - 31.0	131.0	63.5	87		

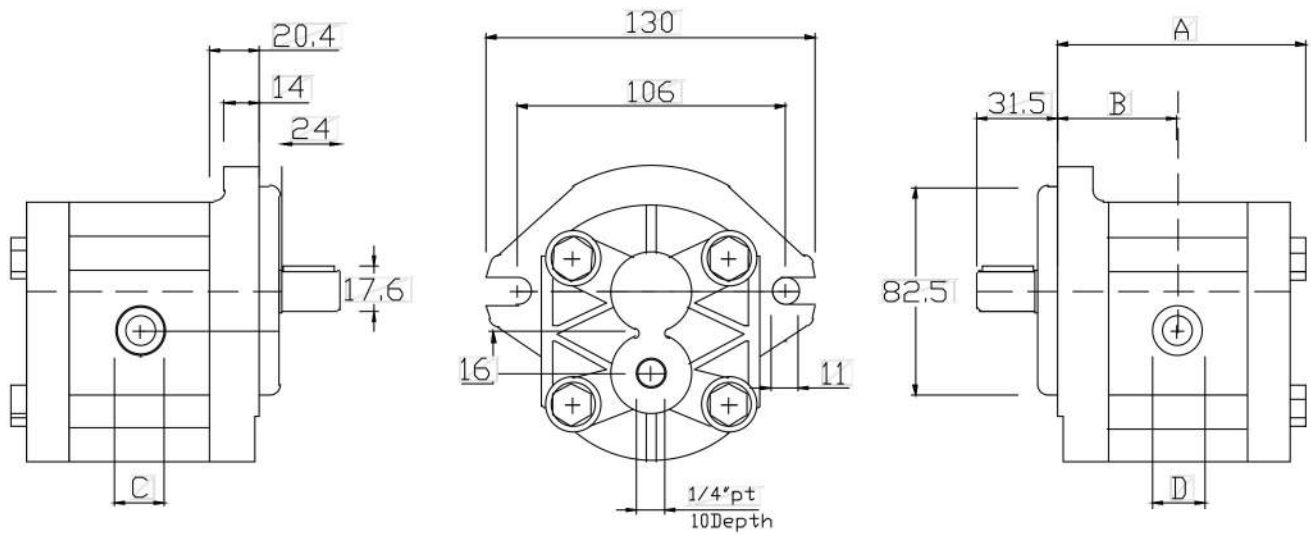
Mounting And Connecting Size



Type	A	B	FLANGE PORT TYPE																	
	mm	mm	IN	OUT																
SAP20 - 4.0	93.0	45.0		<table border="1"> <thead> <tr> <th></th> <th>C</th> <th>D</th> <th>E</th> </tr> <tr> <th></th> <th>mm</th> <th>mm</th> <th>mm</th> </tr> </thead> <tbody> <tr> <td>OUT</td> <td>15</td> <td>35</td> <td>M6*P1</td> </tr> <tr> <td>IN</td> <td>20</td> <td>40</td> <td>M6*P1</td> </tr> </tbody> </table>		C	D	E		mm	mm	mm	OUT	15	35	M6*P1	IN	20	40	M6*P1
	C	D			E															
	mm	mm			mm															
OUT	15	35			M6*P1															
IN	20	40			M6*P1															
SAP20 - 6.3	95.5	46.0																		
SAP20 - 8.0	98.0	47.5																		
SAP20 - 11.0	104.0	50.0																		
SAP20 - 14.0	109.0	52.5																		
SAP20 - 16.0	113.0	54.5																		
SAP20 - 20.0	118.0	57.0																		
SAP20 - 25.0	124.0	60.0																		
SAP20 - 31.0	131.0	63.5																		

HYDRAULIC MOTOR

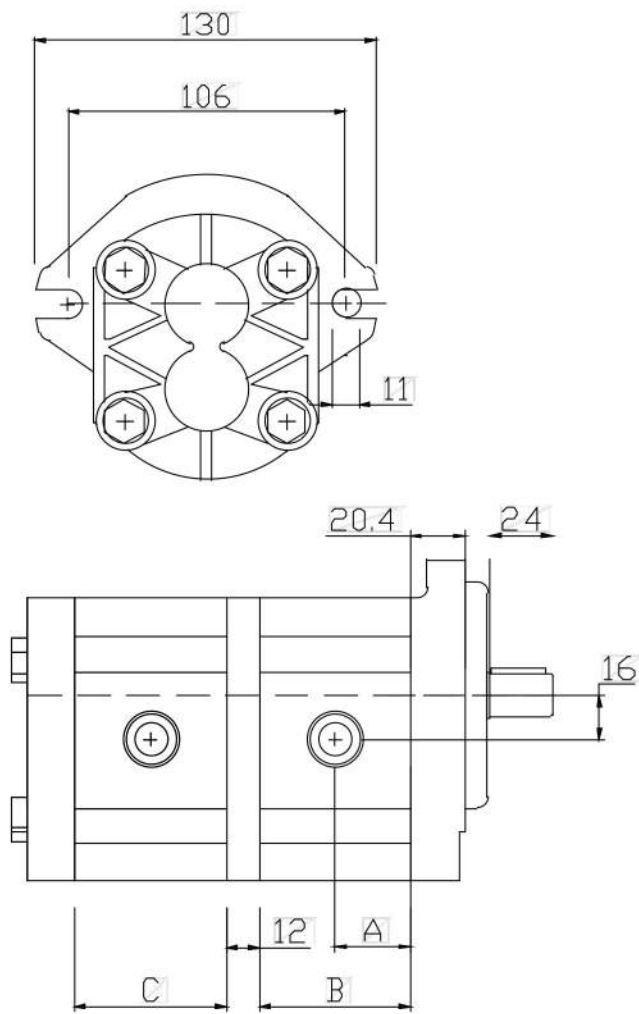
Mounting And Connecting Size



DIMENSIONS & PORT SIZE

Type	A	B	C(IN) (PS)	D(OUT) (PS)
	mm	mm		
SAM20 - 4.0	93.0	45.0	1/2"	1/2"
SAM20 - 6.3	95.5	46.0		
SAM20 - 8.0	98.0	47.5		
SAM20 - 11.0	104.0	50.0		
SAM20 - 14.0	109.0	52.5		
SAM20 - 16.0	113.0	54.5		
SAM20 - 20.0	118.0	57.0		
SAM20 - 25.0	124.0	60.0		
SAM20 - 31.0	131.0	63.5		

Mounting And Connecting Size

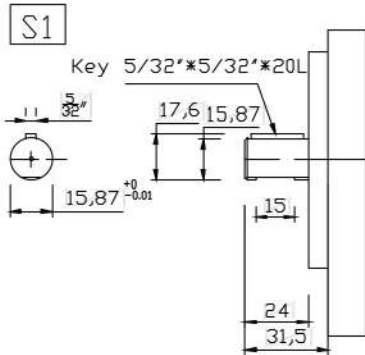


DIMENSIONS & PORT SIZE

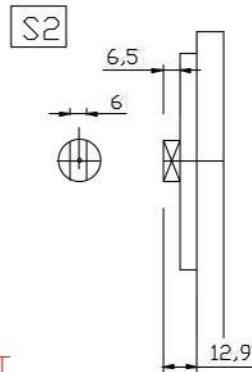
Type	A	B	C
	mm	mm	mm
SAM20 - 4.0*4.0	25.0	50.0	50.0
SAM20 - 6.3*6.3	26.0	52.0	52.0
SAM20 - 8.0*8.0	27.5	55.0	55.0
SAM20 - 11.0*11.0	30.0	60.0	60.0
SAM20 - 14.0*14.0	32.5	65.0	65.0
SAM20 - 16.0*16.0	34.5	69.0	69.0
SAM20 - 20.0*20.0	37.0	74.0	74.0
SAM20 - 25.0*25.0	40.0	80.0	80.0
SAM20 - 31.0*31.0	43.5	87.0	87.0

Drive Shaft Type

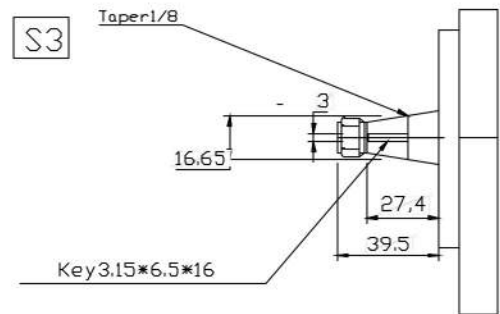
TABLE 3.



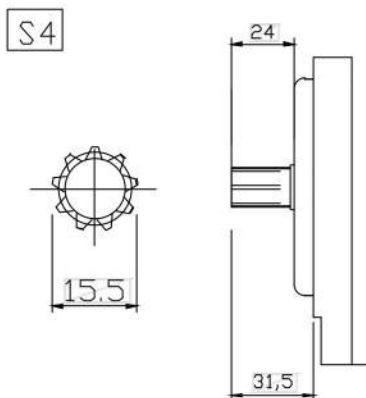
* SAE "A" STRAIGHT SHAFT
MAX.TORQUE 70NM



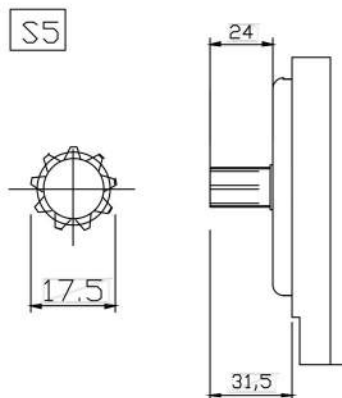
* EXTERNAL TONGUE
MAX.TORQUE 65NM



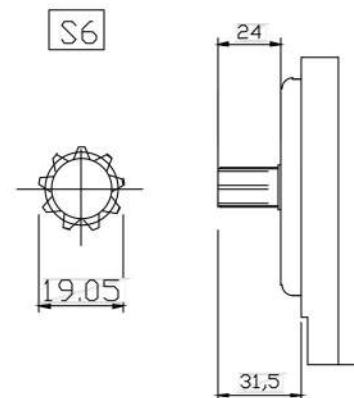
* 1/8 TAPER SHAFT
WOODRUFF KEY 3.2*12.7
MAX.TORQUE 140NM



* SAE9T-16/32
MAX.TORQUE 100NM
M=1.5, PA=20

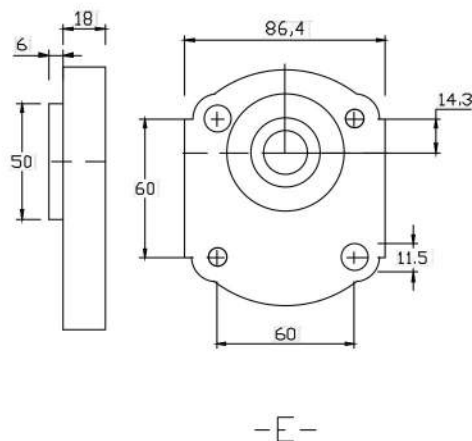
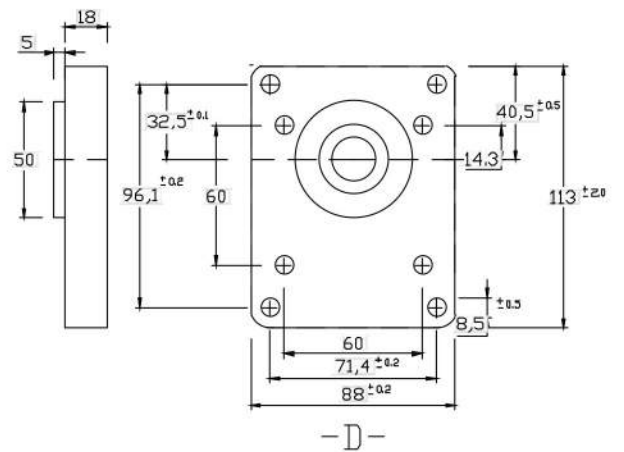
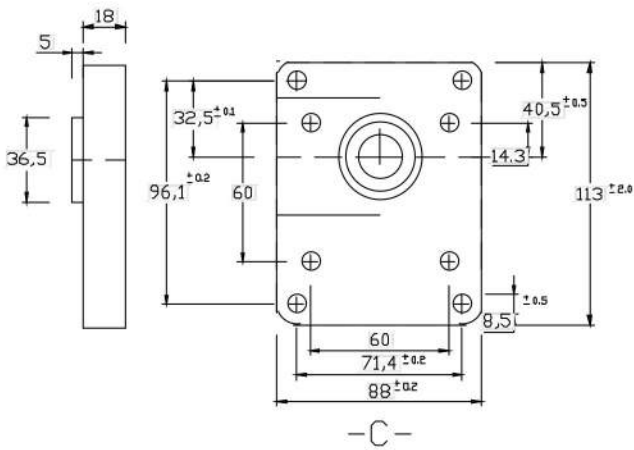
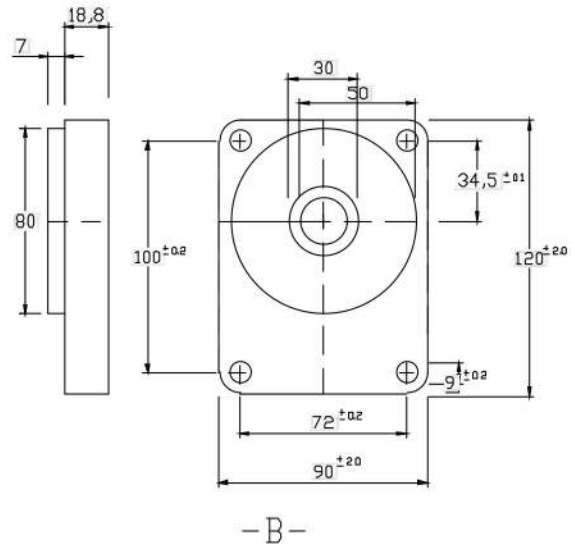
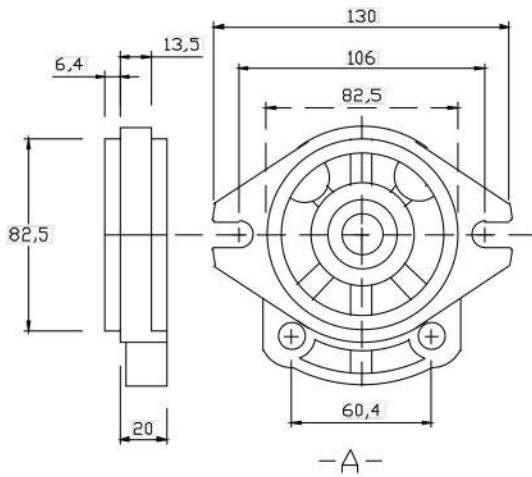


* SAE10T-16/32
MAX.TORQUE 135NM
M=1.5, PA=20

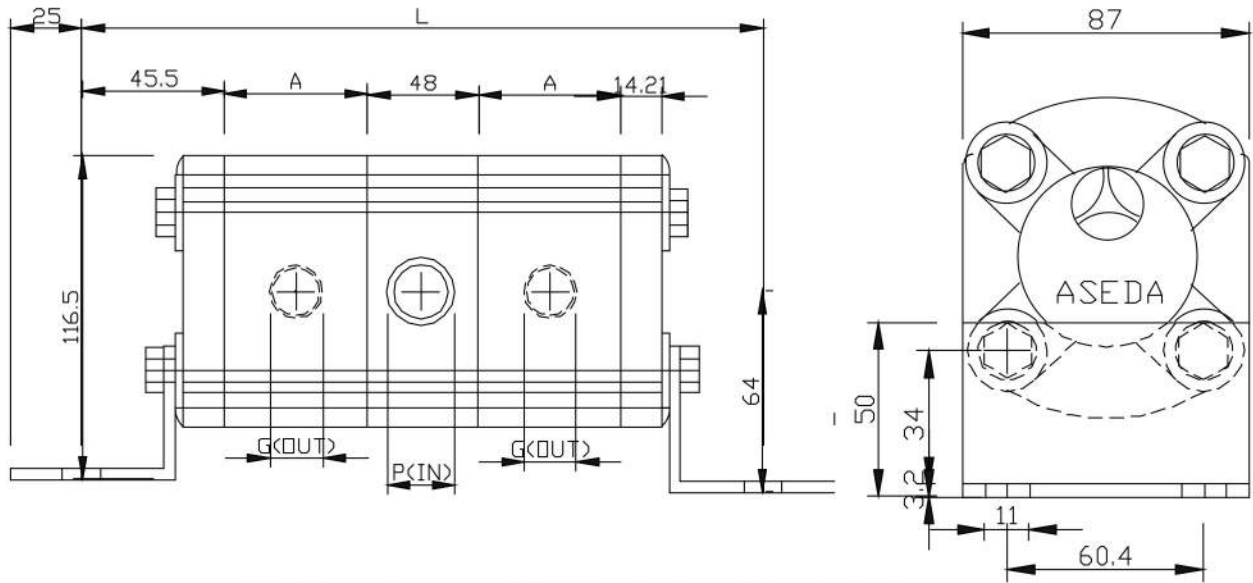


* SAE11T-16/32
MAX.TORQUE 170NM
M=1.5, PA=20

Front Cover Type



Mounting And Connecting Size



DIMENSIONS & PORT SIZE

ELEMENTS OF DIVIDER					
Type	A	IN.NET(P)	OUT.NET(G)	PRESSURE (BAR)	SPEED (RPM)
DSAP20 - 4	50.0	3/4"PS	1/2"PS	250	900-2500
DSAP20 - 6.3	52.0			250	
DSAP20 - 8	55.0			250	
DSAP20 - 11	60.0			250	
DSAP20 - 14	65.0			250	
DSAP20 - 16	69.0			200	
DSAP20 - 20	74.0			200	900-2000
DSAP20 - 25	80.0			180	
DSAP20 - 31	87.0	180			